

SC700

EMERGENCY SHOWER AND EYEWASH



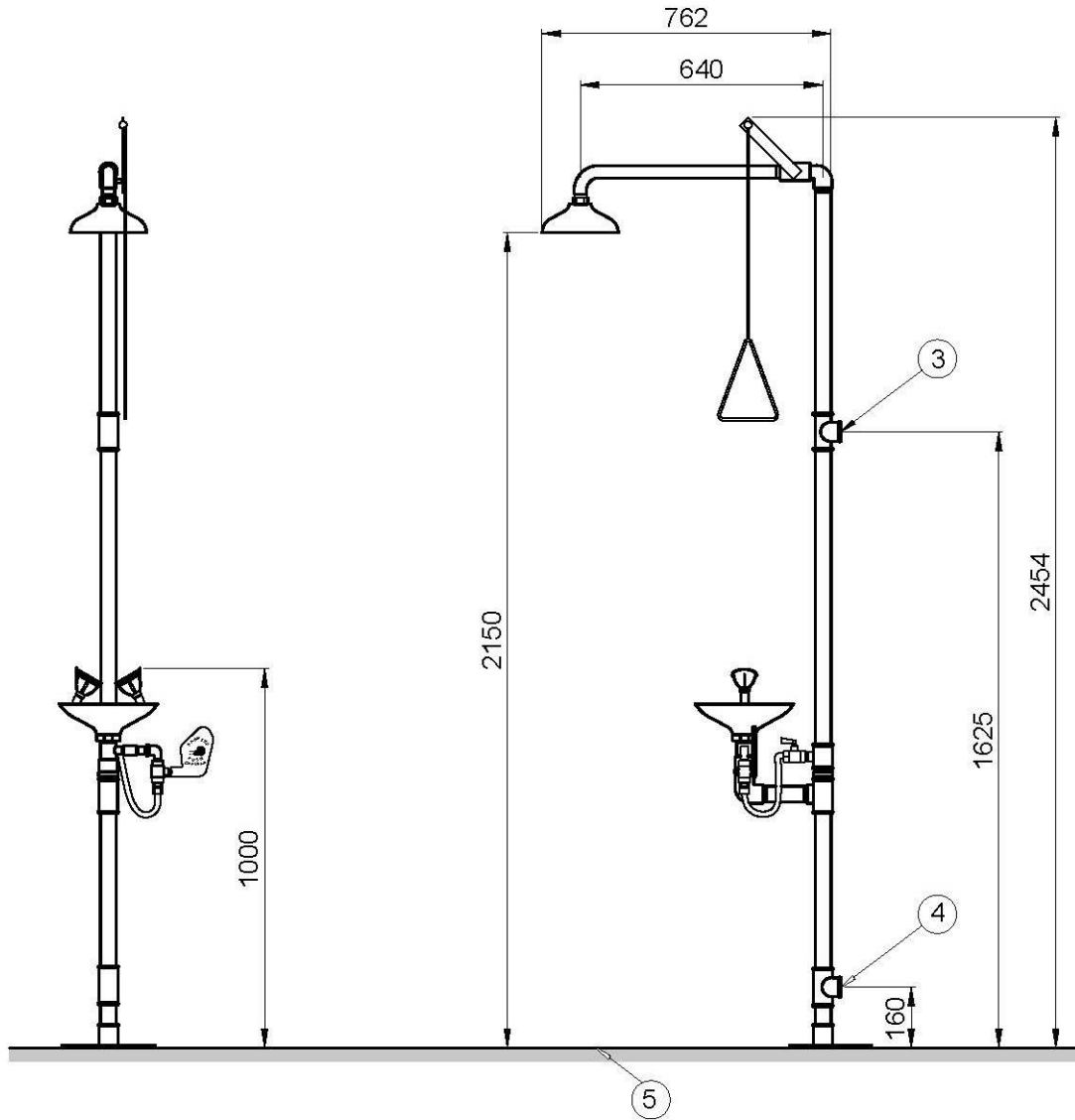
PRODUCT DESCRIPTION

- Total way out valve shower, manual and instant opening.
- Emergency eyewash with high flow at low pressure.
- Emergency shower activated through rigid lever with triangle handle.
- Emergency eyewash activated through side lever.
- Double aerated jet with dust cover.
- Color green RAL 6029.
- Suitable for industries, laboratories and generally where there is risk of personal damages from fire, acids, chemical reactants, petroleum products, radioactive materials or other contaminants.
- CE conformity.

TECHNICAL DATA

- Shower head Ø205mm and eyewash bowl Ø255mm made of polypropylene.
- Manufactured body made of galvanized zinc steel with epoxy paint.
- Connecting parts made of brass.
- Min. required water flow: 6 liters / minute (2 bar).
- Eyewash flow: 14 liters / minute ± 10%.
- Emergency shower flow: 120 liters / minute (3bar).
- Water inlet: 1+1/4" thread.
- Water outlet: 1+1/4" thread.

TECHNICAL DRAWING



③ INGRESSO: 1 1/4" G, FILETTO FEMMINILE
 ENTRADA DE 1 1/4" G, ROSCA HEMBRA.
 1 1/4" G, INNER THREAD INLET.
 ENTRÉE 1 1/4" G, FILETAGE FEMELLE.

④ USCITA 1 1/4" G, FILETTO FEMMINILE
 SALIDA DE 1 1/4" G, ROSCA HEMBRA.
 1 1/4" G, INNER THREAD OUTLET.
 SORTIE 1 1/4" G, FILETAGE FEMELLE.

⑤ PAVIMENTO FINITO.
 SUELO ACABADO.
 FINISHED FLOOR.
 SOL FINI.