

EMERGENCY SHOWER MANUAL OPENING

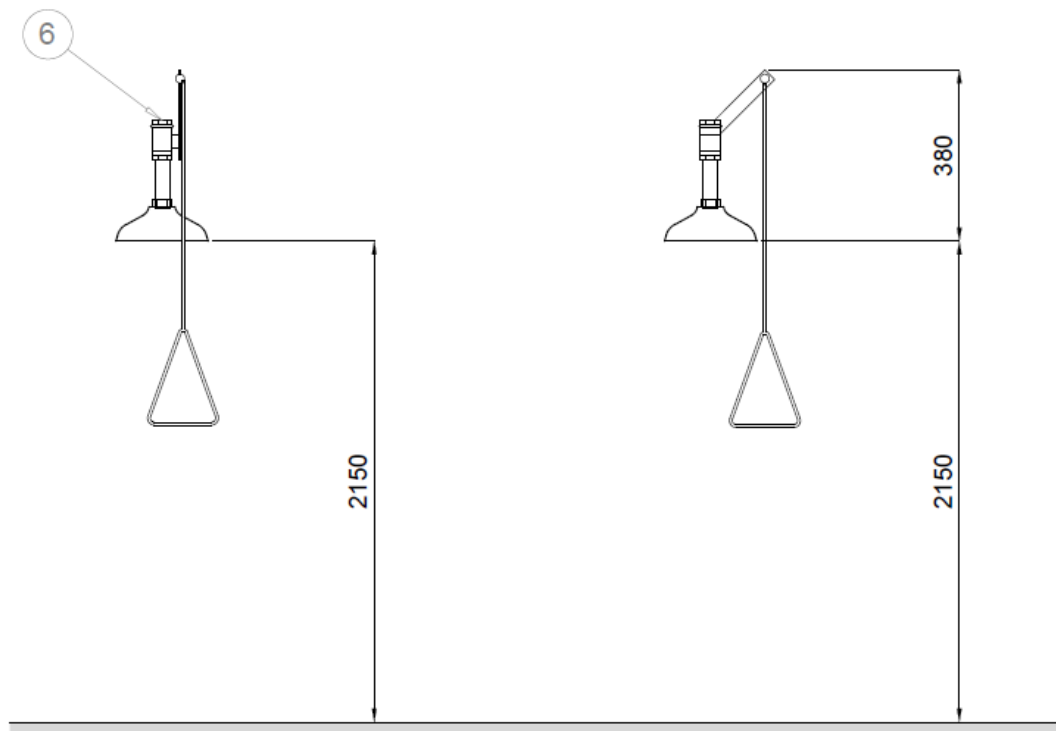


PRODUCT DESCRIPTION

- Emergency shower stainless steel AISI 304 vertical mounting on ceiling.
- Total way out valve shower, manual and instant opening, manual closed.
- Activated through rigid lever with triangle handle.
- Color green RAL 6029.
- Suitable for industries, laboratories and generally where there is risk of personal damages from fire, acids, chemical reactants, petroleum products, radioactive materials or other contaminants.
- CE conformity.

TECHNICAL DATA

- Shower head Ø205mm made of polypropylene.
- Manufactured body made of galvanized zinc steel with epoxy paint.
- Connecting parts made of brass.
- Min. required water flow: 6 liters / minute (2 bar).
- Emergency shower flow: 120 liters / minute (3bar).
- Recommended installation height: approximately 2.15 m from the ground.
- Water inlet: 1" G inner thread.



6 INGRESSO 1" G, FILETO FEMMINILE
ENTRADA 1" G, ROSCA HEMBRA
1" G, INNER THREAD INLET
ENTRÉE 1" G, FILETAGE FEMELLE.

5 PAVIMENTO FINITO
SUELO ACABADO
FINISHED FLOOR
SOL FINI